

## IFCS 2012 Team Selection Process

USDAA, as an associate member of the International Federation of Cynological Sports, wishes to sponsor a team to participate in the 2012 IFCS World Agility Championships to be held early spring to mid-summer in 2012. In addition, for 2012, the event is expected to be in the United States and hosted by USDAA under the oversight of the IFCS Council, whose rules and regulations will be in effect.

As an IFCS associate member, USDAA will oversee team member selection for the United States of America and will make such selections in accordance with rules set forth herein. Selected team members agree to follow all policies and procedures set forth by IFCS, USDAA and the Team Coach.

USDAA's sponsorship of the team is limited to cost of entry fees, uniforms, and providing a coordinator for team travel logistics and selecting a coach. USDAA will also facilitate the raising of additional funds to assist with team travel. Sponsorship fund distribution shall be governed by additional rules published separately.

### 1.0 Team Selection

- (1) Team members are selected by the USDAA Regulations & Competition Standards Board (RCSB) to represent the United States in the International Federation of Cynological Sports (IFCS) World Agility Championships to be held in 2012.
- (2) Four teams of 3 dogs are chosen to compete in the four IFCS height divisions. An individual handler may have more than one dog on the team.
- (3) Consideration for a position on the U.S. team is offered first to the handler/dog with the highest number of Team Selection Points (TSPs) earned. TSPs may only be earned at the 2011 USDAA World Cynosport Games and at events which are specifically designated as Team Selection Events. If the handler declines, consideration then goes to the handler/dog that is immediately next on the list, and so on. In addition, an alternate is designated for each height division; this alternate will be substituted only in the event a team member must withdraw prior to the event closing date.
- (4) The prospective team member must register an "Intent to Compete" form with the Team Coach, Rachel Sanders. See section below on the Intent to Compete form for filing information.
- (5) If the team selection process does not produce a fully formed team as described in 1.0. (2), then the RCSB reserves the right to designate additional team members using information determined from competition results and advice of the Team Coach.
- (6) Selection of team members will be announced on or before Jan 1, 2012.
- (7) For more information on IFCS regulations, see the official IFCS website at the following URL:  
<http://www.dogsport.ru/>

### 2.0 Eligibility of Handler

- (1) The handler of a dog under consideration for the team must have been the handler under which at least 90% of the dog's TSPs have been earned.

- (2) The handler must either be a citizen of the United States -or- have permanent resident status within the United States. Note that a permanent resident who competes as a representative for their country of residency will be ineligible to compete for their country of citizenship for a period of 5 years following the IFCS competition.
- (3) The handler must have satisfied all conditions pertaining to travel documentation (i.e. passports and health certifications) required for themselves and their dog no later than 45 days prior to the event. It is possible that the host country for the event in any given year may have or may subsequently impose strict animal vaccine and transportation regulations that require special vaccine and/or micro-chipping compliance, as well as utilization of specific air carriers for transport. Handlers vying for a place on the team should be attentive for announcements and be prepared to take steps necessary for compliance, which may be before or after final determination of team composition is made. Regrettably, such requirements are beyond the control of USDAA and IFCS.
- (4) If the handler is under 18 years of age, permission must be given by a parent or guardian for participation on the team and that the handler must be accompanied at their own expense by a parent or legal guardian.
- (5) The handler must be physically able to compete in the event. Ill or incapacitated handlers should inform the RCSB if possible no less than 15 days prior to the closing date so that an alternate can be notified, if any is to be named. The closing date will be announced as soon as it is known.
- (6) A competitor must be financially able to provide their personal travel expenses to and from the event should financial sponsorship not be available. This must be demonstrated by purchase of the travel ticket no later than 45 days prior to the event. Should financial sponsorship be available, handlers will be reimbursed for their travel and lodging expenses to the extent available pursuant to standards set by the RCSB.
- (7) A competitor shall be expected to serve as a representative and goodwill ambassador of the United States, USDAA, and of the sport of dog agility. As per Appendix C of the USDAA rulebook, any written complaints filed against a potential team member for actions or incidents occurring at a USDAA trial and which are found to be upheld by the trial's Disciplinary Action Committee will be reviewed by the RCSB. Additionally, any warnings or disciplinary actions issued by a judge or member of an event organizing committee, or its disciplinary action committee, and reported in their official report to USDAA will be reviewed. The RCSB in its sole discretion and without recourse may declare such a competitor ineligible for the team.

### **3.0 Eligibility of Dog**

- (1) The dog's official height must have been verified in accordance with the Intent to Compete form for compliance with IFCS jump height standards. Note that in addition, all dogs in the Toy, Mini, and Midi divisions will be measured by IFCS judges or officials prior to the start of the IFCS competition.
- (2) Official IFCS height breakdowns are as follows:
  - (a) Toy: 30 cm (11.81 in)
  - (b) Mini: 40 cm (15.75 in)
  - (c) Midi: 50 cm (19.69 in)
  - (d) Maxi: over 50 cm

As the 2012 event will be held in the United States, all measuring devices will be inch-based. The following table shows the nearest inch-based unit of measurement used to ensure the above cutoffs:

IFCS /Jump Height Cutoff	Conversion from Metric	As Measured on an Inch-based Measuring Device
30 cm	11.81 in	11 and 13/16"
40 cm	15.75 in	15 and 3/4"
50 cm	19.69 in	19 11/16"

- (3) Any medications that the dog is receiving must be declared in advance to the Team Coach and to the RCSB. Only dogs receiving medications intended for the healing of illness or injury can compete; i.e., no performance enhancing drugs are permitted as IFCS regulations specifically prevent 'doping' of dogs.
- (4) Ill or exhausted dogs, bitches in heat or pregnant bitches are not permitted in the IFCS competition. Therefore even if selected, the RCSB may overrule a team member's eligibility on this basis and explore other options including sending an alternate dog and handler, or an alternate dog with the same handler, or leaving the team position vacant.
- (5) A dog shall be expected to serve as a representative of the United States and of the sport of dog agility. As per Appendix C of the USDAA rulebook, any written complaints filed against a potential team dog for actions or incidents occurring at a USDAA trial and which are found to be upheld by the trial's Disciplinary Action Committee will be reviewed by the RCSB. The RCSB has the option of declaring such a dog ineligible for the team.

#### 4.0 Team Selection Points

- (1) Points are credited towards team eligibility as follows:
  - a. Toy (30 cm): points earned must come from 12" Championship classes by a dog measuring 30 cm (11.81 in) and under.
  - b. Mini (40 cm): points earned must come from 16" Championship classes by a dog measuring 40 cm (15.75in) and under.
  - c. Midi (55 cm): points earned must come from 22" Championship classes by a dog measuring 50 cm (19.69 in) and under.
  - d. Maxi (65 cm): points earned must come from 26" Championship classes.
- (2) TSPs are calculated using placements relative to one another for those handler/dog teams that have filed an Intent to Compete form. For example, a dog may earn third placement overall in a trial class, but is in second place according to the number of eligible dogs competing. The RCSB reserves the right to withhold points should there not be at least 2 eligible dogs in the competition.
- (3) TSPs are earned at the 2011 USDAA World Cynosport Games through competition in the following tournament classes according to the point accumulation schedule shown in Table 1. Note that all classes below may not necessarily be available at this event:
  - a. Grand Prix World Championship Semi-Finals
  - b. Grand Prix World Championship Finals
  - c. Steeplechase World Championship Semi-Finals
  - d. Steeplechase World Championship Finals
  - e. Dog Agility Masters Team World Championship Finals. Points are awarded for placements in the standard, jumpers, gamblers and snooker classes.
  - f. International Handler's Challenge (IHC) Standard class.
  - g. International Handler's Challenge (IHC) Jumpers class.

**Table 1 2011 World Cynosport Games Point Accumulation Schedule**

<b>Placement</b>	<b>12" height division points earned</b>	<b>16", 22", 26" division points earned</b>
1 <sup>st</sup>	18	24
2 <sup>nd</sup>	16	22
3 <sup>rd</sup>	14	20
4 <sup>th</sup>	12	18
5 <sup>th</sup>	10	16
6 <sup>th</sup>	8	14
7 <sup>th</sup>	6	12
8 <sup>th</sup>	5	10
9 <sup>th</sup>	4	8
10 <sup>th</sup>	3	7
11 <sup>th</sup>	2	6
12 <sup>th</sup>	1	5
13 <sup>th</sup>	-	4
14 <sup>th</sup>	-	3
15 <sup>th</sup>	-	2
16 <sup>th</sup>	-	1

- (4) TSPs are additionally earned through competition in the following tournament classes at specifically designated Team Selection Trials according to the schedule shown in Table 2:
- a. Grand Prix local qualifiers (i.e., excludes Round 1 of Regional Championships)
  - b. Grand Prix Regional Championships (i.e. Round 2).
  - c. International Handler's Challenge (IHC) Standard class.
  - d. International Handler's Challenge (IHC) Jumpers class.
  - e. Dog Agility Masters Team Qualifiers. Points are awarded for local qualifiers in the standard, jumpers, gamblers and snooker classes.

**Table 2 2011 Team Selection Trial Point Accumulation Schedule**

<b>Placement</b>	<b>12" height division points earned</b>	<b>16", 22", 26" divisions points earned</b>
1 <sup>st</sup>	12	16
2 <sup>nd</sup>	10	14
3 <sup>rd</sup>	8	12
4 <sup>th</sup>	6	10
5 <sup>th</sup>	4	8
6 <sup>th</sup>	2	6
7 <sup>th</sup>	1	4
8 <sup>th</sup>	-	2
9 <sup>th</sup>	-	1

- (5) In the event of ties on the number of overall points, factors used to break the tie are listed below in the order of their consideration:
- a. the dog who cumulatively places better in head-to-head competition at the USDAA World Championships.
  - b. the average number of eligible dogs defeated per event.
  - c. the average points earned per event.
  - d. the dog with the larger number of Top Ten points in each category.

## 5.0 Team Selection Trials

- (1) In addition to the USDAA World Cynosport Games, all TSPs are earned as designated in Table 2. These points are earned in the first three Team Selection Trials competed in following the filing of the Intent to Compete form. The following potential trials may be used to earn points:
  - a. The seven USDAA Regional Championship competitions (maximum of 3)
  - b. "Four Star" trials which are designated by the RCSB as Team Selection Trials (maximum of 1).
- (2) A prospective team member may apply to the Team Coach for a waiver from the requirement that only results from the first three Team Selection Events will be tabulated. The following considerations will apply in determining if such a waiver will be granted to that prospective team member:
  - a. the prospective team member is a major organizer of a Team Selection event and the waiver is applied for in advance of the event.
  - b. the dog or handler is entered but unable to attend the event. No classes must have been competed in and the waiver is applied for in advance of the event.
  - c. the dog or handler is injured or becomes otherwise ineligible to continue competition during the course of the event. The reasons for ineligibility (which include but are not limited to injury and bitch in season) must be attested to by a judge of record at the event. It is strongly advised that corroborating documentation from a doctor or veterinarian (as applicable) accompany the request for the waiver.
  - d. the dog or handler must withdraw during the course of the event due to compelling personal circumstances such as major illness or death of a member of their immediate family.
  - e. conditions beyond the control of the event organizers which result in a seriously degraded or hazardous competition environment such that one or more classes are canceled.
- (3) All waivers submitted to the Team Coach shall additionally be independently reviewed by the RCSB which may choose to affirm or overrule such waiver.

## 6.0 Intent to Compete

The Intent to Compete form in Addendum 1 must be filed in advance of competing at any event at which a competitor wishes to earn Team Selection Points. In any case, the form must be filed with the Team Coach no later than March 31, 2011. To encourage early filing of the form, a date field has been provided on the form to indicate the date after which points are to be earned. No points may be earned by a competitor prior to the indicated date.

The completed form can be sent one of the following methods:

- Via email: [IFCSTeamCoach@USDAA.com](mailto:IFCSTeamCoach@USDAA.com)
- Via US Postal Service:  
**USDAA**  
**Attn: Team Coach**  
**P.O. Box 850955**  
**Richardson, TX, 75085**
- Via fax: **972-231-9700.**

The Team Coach shall acknowledge receipt of this information no later than ten business days after receipt.

The Intent to Compete form includes a section to be completed by a Certified Measuring Judge (CMJ). This is a preliminary determination of the dog's eligibility. Final determination is made by a panel of judges at the Cynosport Games.

The Intent to Compete form may be submitted without a CMJ signature in the event the handler is unable to obtain a signature from a CMJ by the required submission date. However, the handler must attach a note on the Intent to Compete form indicating the date by which they expect to comply with this requirement. The final opportunity for compliance with this requirement is the first Four-Star or Regional event attended by the prospective team member at which there is a designated CMJ present; the signature obtained at that event shall be considered final for purposes of the Intent to Compete form.

## **7.0 Special Circumstances**

If restrictions are imposed presently or in the future that obstruct the transport of dogs (such as a quarantine), the handler should be prepared to run with a dog made available at the event by the host organization.

# Addendum 1

## 2012 IFCS WORLD TEAM CERTIFICATION OF MEASUREMENT & INTENT TO COMPETE

**Final Deadline for submission of form: Thursday, March 31, 2011**

Through submission of this form, I declare my intent to be a candidate for the 2012 World Team representing the United States at the IFCS World Agility Competition to be held in 2012. Further I have read, understand and agree to the IFCS Qualification Regulations set forth by the United States Dog Agility Association, Inc.

Handler Name: \_\_\_\_\_

Address: \_\_\_\_\_

City: \_\_\_\_\_ State: \_\_\_\_\_ Zip Code: \_\_\_\_\_

Email Address: \_\_\_\_\_

Day Phone: \_\_\_\_\_ Evening Phone: \_\_\_\_\_ Cell Phone: \_\_\_\_\_

Dog's Call Name: \_\_\_\_\_ Breed: \_\_\_\_\_

Date of Birth: \_\_\_\_\_ Current Jump Height: \_\_\_\_\_

**I declare that points earned at Team Selection Events beginning on or after the date \_\_\_\_\_**  
will count towards the total points earned by this dog. *(Note if this field is left blank, then the date this form is submitted will be effective date to begin point accumulation).*

I acknowledge through my signature below that I am aware of and understand that IFCS height cut-offs differ from those currently used in USDAA competition, and that those height cut-offs are as follows:

- (a) Toy: 30 cm (11 13/16 in) and under jumps 30 cm (12")
- (b) Mini: 40 cm (15 3/4 in) and under jumps 40 cm (16")
- (c) Midi: 50 cm (19 11/16 in) and under jumps 55 cm (22")
- (d) Maxi: over 50 cm jumps 65 cm (26")

Further, I understand that a panel of Certified Measuring Judges chosen by USDAA will make the final height determination through measurement of the candidate dog at the Cynosport® World Games as the final determination of height and eligibility to participate.

Further, I submit the following measurements (to nearest 1/16") made by a Certified Measuring Judge.

\_\_\_\_\_  
Signature of Certified Measuring Judge Measurement Club hosting show where measured Date of Measurement

**Dog's recorded measurement is within 1/4" of an IFCS height cut off listed above.**

Finally, my signature below further attests that I will accept the 2012 IFCS World Team Competition nomination if the measurements listed herein make the candidate dog eligible.

\_\_\_\_\_  
Signature Date

**Measurements taken at 2011 Cynosport® World Games:**

**(This section for USDAA Official use only)**

\_\_\_\_\_  
Judge:

\_\_\_\_\_  
Judge:

\_\_\_\_\_  
Judge:

## **Addendum 2**

### **INTERNATIONAL HANDLER'S CHALLENGE CLASS**

The International Handler's Class (IHC) class is a non-titling class that is open to all dogs regardless of level. This is a required class at Team Selection Events.

This class tasks a dog/handler team working at ADCH-level to demonstrate they are capable of handling the type of course seen at high-level domestic and international competitions.

Course designs for this class strive to achieve a mixture of challenges to be performed at full speed (extension) as well as sections where the dog/handler team demonstrate they can moderate their approach speed (collection) to effect an efficient course path through a sequence of successive directional changes.

#### **1.0 Obstacle Requirements**

A standard agility IHC class shall contain all the obstacles contained in a Masters standard class except for the table. The use of obstacles optional to the Masters class yet commonly seen in international competition such as the long jump and viaduct are heavily encouraged.

A jumpers agility IHC class shall contain all the obstacles contained in a Masters jumpers class plus a minimum of 10 weave poles. The use of the long jump and viaduct are heavily encouraged.

#### **2.0 Course Design Requirements**

2.1 The course shall contain 18 – 20 obstacles. Combinations (multiple hurdles to be defined as a single obstacle) are allowed, making the maximum number of obstacles to be performed greater than 20.

2.2 The course shall contain at least one crossing pattern consisting of 5 or more obstacles contained within a maximum diameter of 30' -or- 2 crossing patterns of 4 or more obstacles at a maximum diameter of 21'.

2.3 The design shall encourage the dog to perform a majority of the course in extension with a variety of spacing between obstacles.

2.4 The design shall contain between 8 and 11 of the challenges listed below. Challenges should be balanced such that the same type of challenge (delineated as bulleted items below) does not occur more than 3 times on the same course. Underlined terminology designates terms defined in Section 3.1.5 of the Course Design Guidelines.

##### *Course Flow Challenges*

- "Wrong Course Potential" where there is at least one off-course obstacle that is 10' or less off the expected path where the dog is expected to be working at speed.
- "Bypass" where Wrong Course Potential is increased such that the direct dog path takes the dog within 8' or less of an open approach to an incorrect obstacle.
- Discrimination where there are 2 or more adjacent entrances with open approaches.

### *Approach/Exit Challenges*

- Highly Angled Closed Approach to a open tunnel, jump or weaves. Note that contact, chute tunnel, tire, and long jump safety restrictions detailed in Section 3.4 of the Course Design Guidelines continue to apply.
- Wrap
- Managed Approach to a tunnel, table, jump or weaves.
- "Back-to-Back" where the dog performs an obstacle then immediately re-engages the obstacle from the original exit side.
- "Double Performance" where the dog performs an obstacle then immediately re-engages the obstacle from the original approach side.

### *Handler Path Challenges*

- Constrained Handler Path where the shortest handler path requires the handler to negotiate a passage of 8' or less as defined by obstacle placement.
- "Turn Back" (a strong convergence of dog/handler path followed immediately by a strong divergence where the dog must turn away from the handler by more than 90 degrees).
- Layering where the shortest handler path 8-10' parallel to the dog path places an obstacle between the handler and dog.
- "Restricted Handler Path" where placement of one or more obstacles require the handler to work from a distance of 15' - 25' in order to remain parallel to the dog path.

### *Spacing Challenges*

- Use of minimum jump approach distances (12'-15')
- Extended obstacle spacing (30' or more) between obstacles.

### *Miscellaneous Challenges*

- Three contact obstacles with one to be performed twice.

2.5 Shall contain a minimum of 3 compound challenges where 2 or more challenges are either performed in immediate succession or are otherwise in close proximity for a 3 obstacle segment.

These may include but are not limited to the following common multi-obstacle patterns:

- Threadle (Wrap to a Closed Approach)
- Pushthrough (Wrap to a Managed Approach)
- Serpentine (Closed Approach to a Turn Back to a Closed Approach)
- Zig-Zag (Closed Approach to Closed Approach to Closed Approach)
- N-Pattern (Open/Closed Approach to Managed Approach to Turn Back)
- Discrimination Cluster (three or more obstacle entrances in close proximity).

### 3.0 Scoring

This class is scored according to Masters rules given in Section 3.5 of the USDAA rules and regulations. Standard Course Time is established using the following suggested yards per second.

<i>Class</i>	<i>Division</i>	<i>Rate (yps)</i>
IHC Standard	Toy (12")	4
	Mini (16")	4.3
	Midi (22")	4.5
	Maxi (26")	4.5
IHC Jumpers	Toy (12")	4.3
	Mini (16")	4.6
	Midi (22")	4.8
	Maxi (26")	4.8

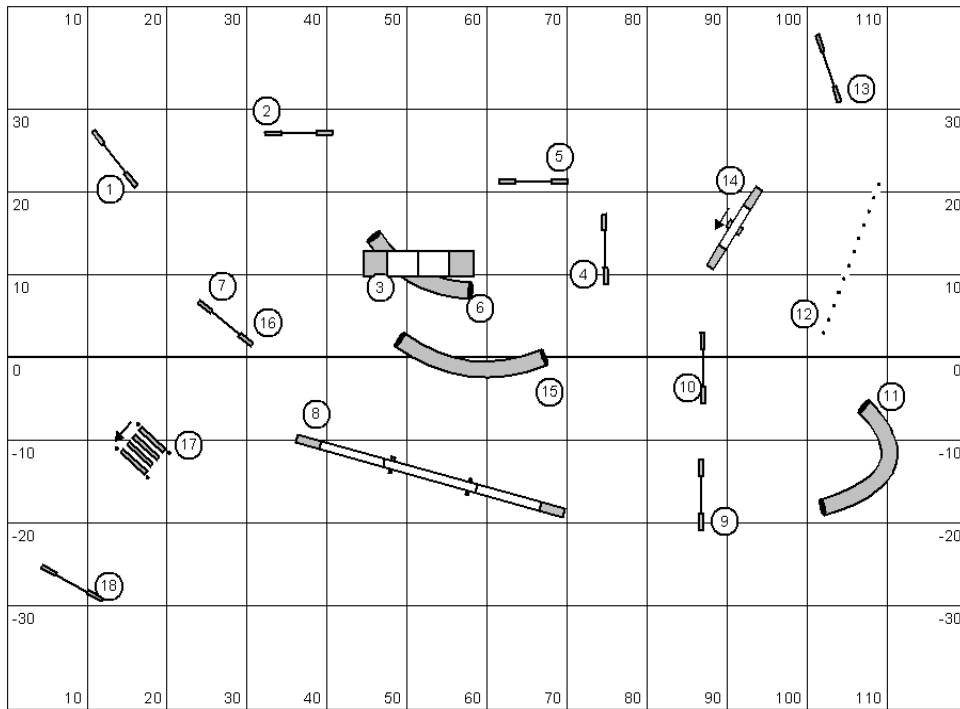
Note: where a Performance division of an IHC class is offered at a Team Selection event, the SCT shall be increased by 3 seconds over that of the Championship division.

### 4.0 Sample Courses

Courses in this section are provided on the following pages for clarification only of the terms used in the previous sections.

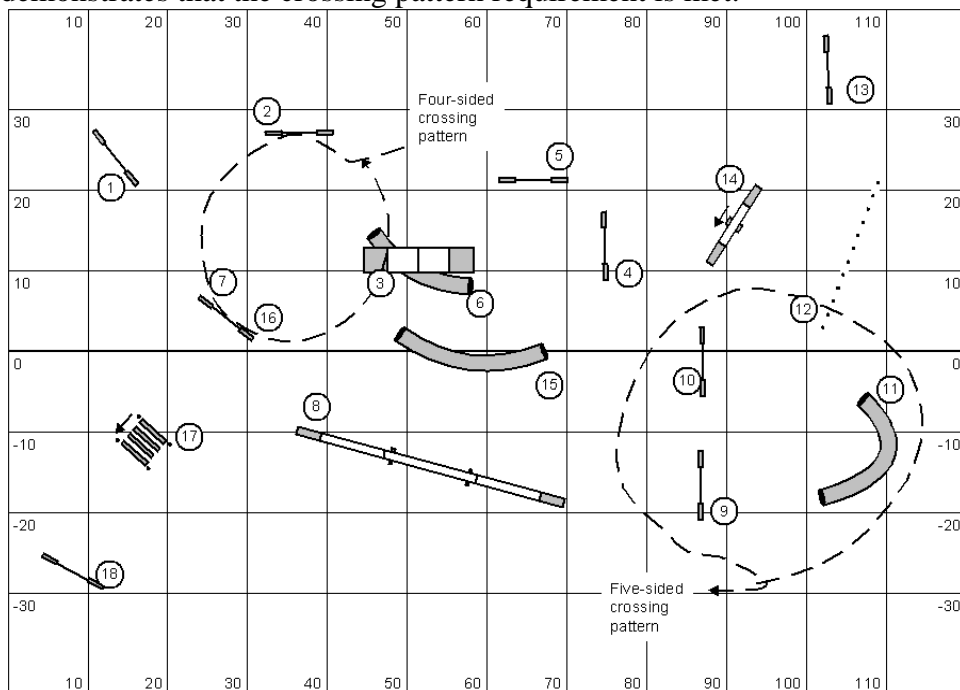
## 4.1 Sample Course 1

The following design meets for the requirements for a IHC Standard course:



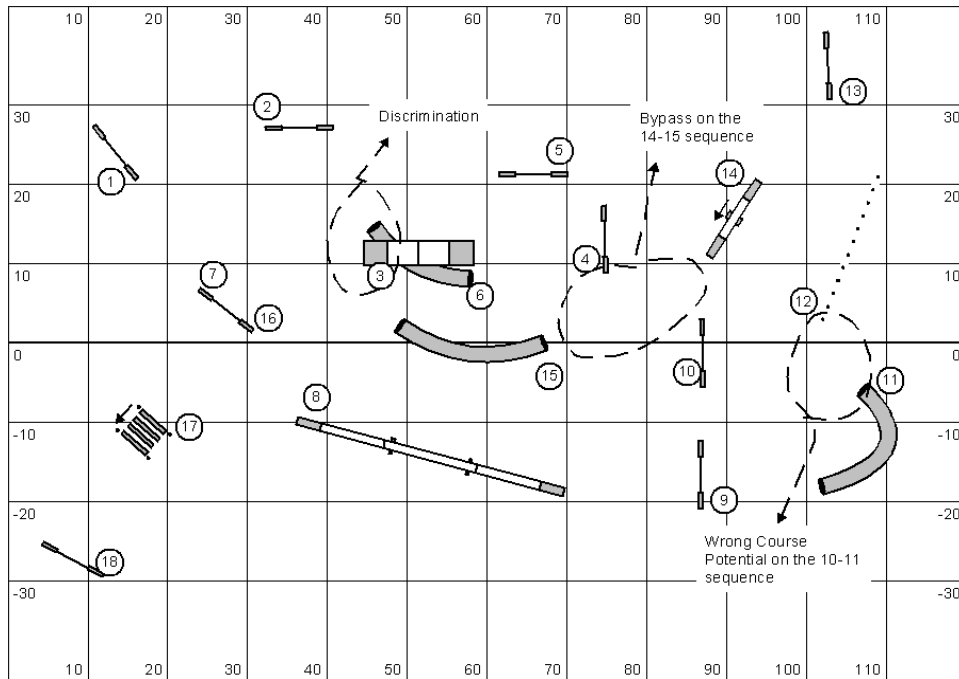
The following annotated versions of Sample Course 1 demonstrate several of the required design elements as they exist on this sample course.

This diagram demonstrates that the crossing pattern requirement is met.

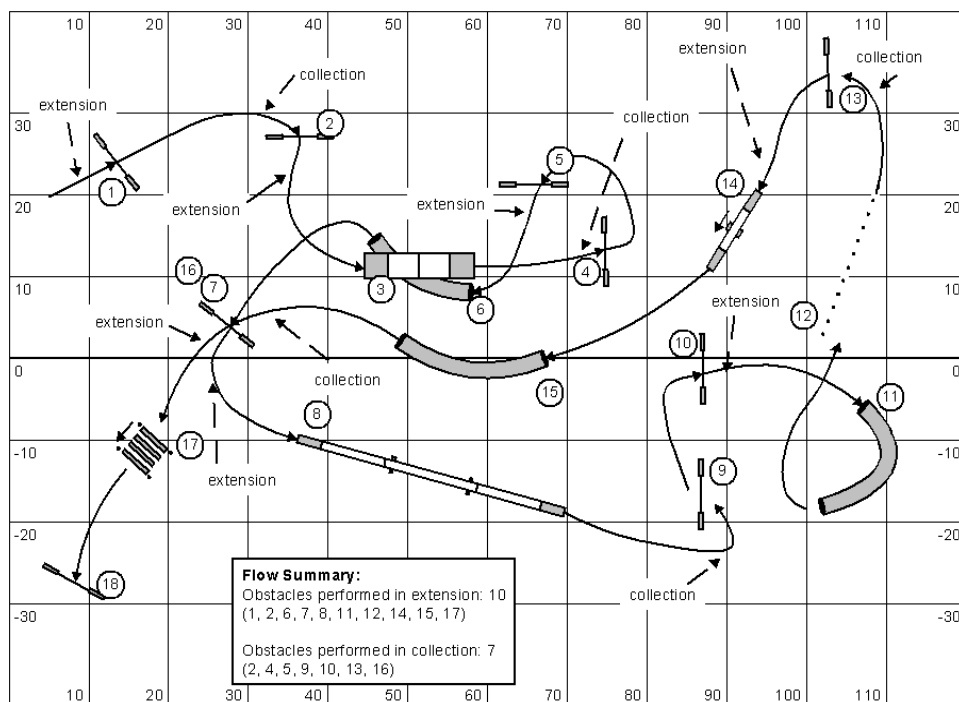




Here the diagram points out different Course Flow Challenges that are present:

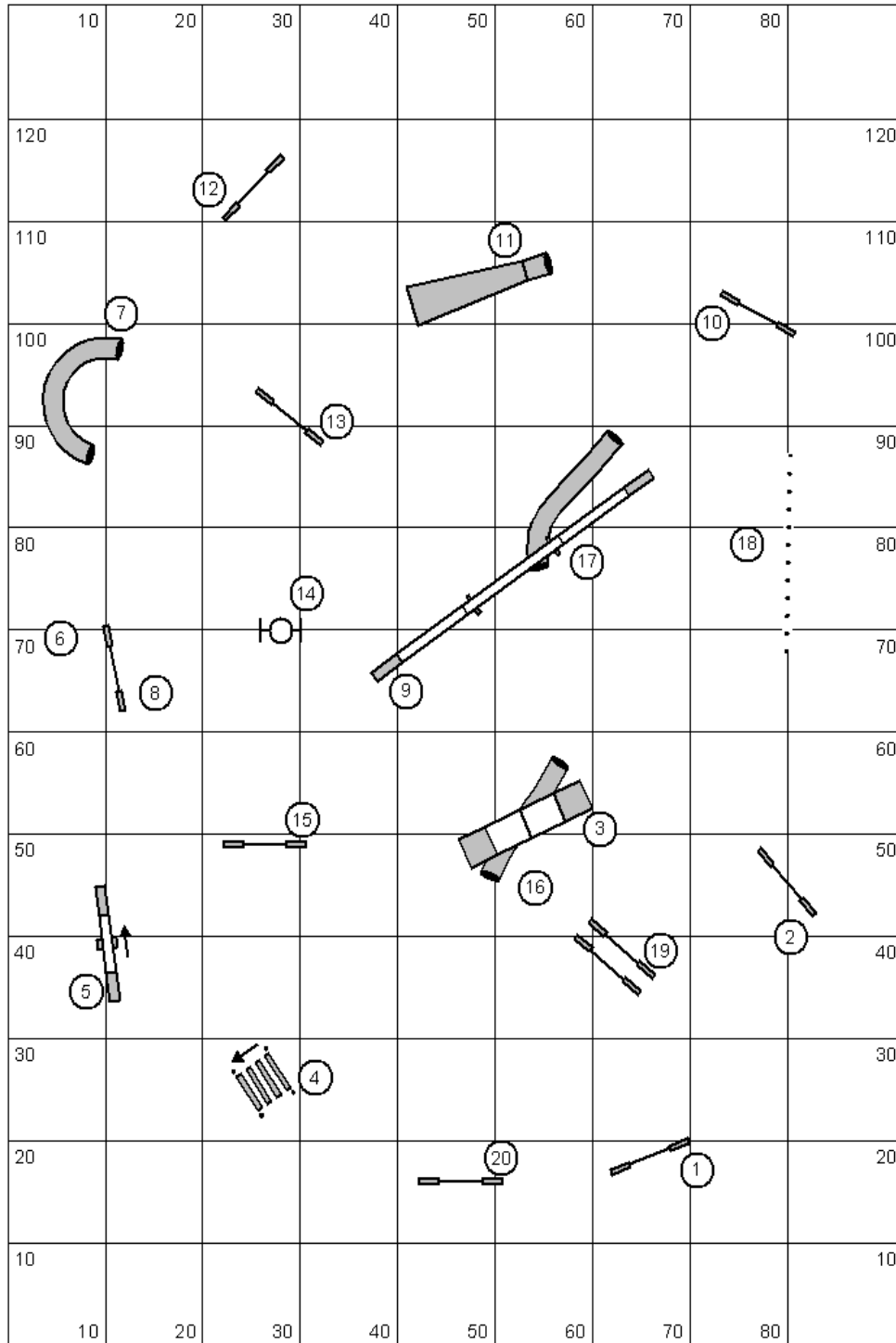


Finally, this diagram shows how the course flow is considered to be in extension or to require collection. At the point on the dog's course that it is considered to be in extension, assume that it stays in extension until annotated to show collection should start:



## 4.2 Sample Course 2

The following design is another example of a course that meets the requirements for an IHC Standard course:



The annotated diagram on the next page shows how a reviewer checks a course to verify that it meets the design requirements for an IHC Standard course. After confirming all of the basic design elements called for in the Course Design Guidelines, the reviewer additionally checks to see that the IHC Challenge requirements are met.

On this course, these are:

Confirmed: Contains at least 8 challenges of which three are Compound Challenges (CC) and where no individual challenge type occurs more than 3 times.

- (1) Discrimination at 3
- (2) Spacing at 30' or great at #4
- (3) Highly Angled Closed Approach at #6
- (4) CC: Bypass at #7 with Wrong Course Potential (backside of #13)
- (5) CC: Highly Angled Closed Approach & Wrap at #8
- (6) Managed Approach at #12
- (7) Discrimination at #16
- (8) CC: Wrong Course Potential (approach side of #10) and Highly Angled Closed Approach at #18
- (9) Bypass (exit side of #2) from #18 to #19

